



The new Actros 6x4 tractor head range.

Everyone talks, one delivers.

Mercedes-Benz
Trucks you can trust

EURO III



The new Actros 6x4 tractor head range.

Ready to set a new standard. A truck ahead of its time. Equipped with pioneering technical innovations which further boost vehicle use and safety, a lower fuel consumption and a range of customer services tailored specifically to your needs. All for a single goal: to increase your profitability.

Reliability. Operators who earn their money in road transportation need absolute reliability. In other words: trucks they can count on. With the Actros we are able to offer you a vehicle incorporating the wealth of experience and expertise acquired over more than 120 years of German engineering. Equipped with leading Mercedes-Benz vehicle technology and components tested under the toughest conditions. This applies to engines, gearshifts, transmissions and drive axles as well as frames, chassis, suspension and cabs. Everything is perfectly matched, in order to meet all requirements reliably, even in extreme conditions.

Efficiency. The Actros also meets the highest standards of efficiency, based first and foremost on its particularly low fuel consumption. Low wear and tear and a higher resale value are additional merits contributing to its outstanding overall efficiency. To this end, numerous innovative technical measures were implemented in the course of developing the Actros, such as the standard Mercedes PowerShift 3 automated gearbox. These measures result in engines with higher performance and lower fuel consumption, a powertrain which enables a particularly economical driving style, and an aerodynamic design honed down to the finest details in the interests of fuel efficiency.

Appeal. The Actros comes with an impressive design. Its distinctive hole pattern grille, the sleek mirror design, or optionally available MirrorCam and the attractive cab make the Actros stand out of the crowd. Beyond the exterior design, the appeal extends to the spacious and ergonomic cab interior, providing a clearly arranged driver's workplace which makes operating the vehicle easy and safe.

Engines. The Actros comes with a choice of two powerful 6-cylinder in-line engines complying with the Euro III emission norm: the 12.8 liter OM 460 and the 15.6 liter OM 473, both designed for low fuel consumption, maximum longevity and optimal performance.

Mercedes PowerShift 3. Superior dynamic response, simple handling and low fuel consumption: the automated transmission ensures precise gear selection, short shift times, high driving comfort and optimal economy.

Mercedes PowerShift 3 protects the powertrain, significantly reducing maintenance and operating costs and thus contributing to the profitability of your business.

Engine cooling and air intake. The further improved cooling and air intake system of the Actros is designed to master even the harshest and most demanding climate conditions. Thanks to the air intake optimally positioned at the top part of the cabin and the newly developed cyclone pre-filter, up to 80% of dust and large particles are removed before reaching the air filter. This increases the lifetime of the air filter significantly, contributing to a reduction in maintenance costs.

The OM 460 engine is developed on the basis of tried-and-tested technology and robust components, providing high torque levels at lower engine speeds. It is available in power output ratings from 360 hp to 476 hp. The newly developed OM 473 engine ranges from 517 hp to 578 hp and it combines best performance with optimized fuel efficiency.

Various driving programs provide a convincing shifting strategy appropriate to the driving situations and the load carried at the time. Each driving program consist of four transmission modes: standard, manual and two specific modes selected with the driving program. The Actros is equipped with the "Economy/Power" drive program as standard. The "Economy" drive program is intended for use in long-distance haulage and contributes to even greater efficiency. The maximum power can be called up at any time, for example on uphill gradients, via the "Power" drive program. With its automated and intelligent shifting,

The OM 473 also features the unique X-Pulse common rail high-pressure injection system with an injection pressure of up to 2700 bar and the patented asymmetric turbocharger.



Type	3340 S	3342 S	3845 S	4045 S	4052 S
Chassis Variant	Tractor Head	Tractor Head	Tractor Head	Tractor Head	Tractor Head
Drivetrain	6x4	6x4	6x4	6x4	6x4
Wheelbase (example)	3600 mm	3600 mm	3900 mm	3900 mm	3900 mm
Engine	OM 460 (Euro III)	OM 460 (Euro III)	OM 460 (Euro III)	OM 460 (Euro III)	OM 473 (Euro III)
Torque	1900 Nm	2100 Nm	2200 Nm	2200 Nm	2600 Nm
Transmission (example)	Mercedes PowerShift 3 (12 speed)	Mercedes PowerShift 3 (12 speed)	Mercedes PowerShift 3 (16 speed)	Mercedes PowerShift 3 (16 speed)	Mercedes PowerShift 3 (16 speed)*
Cab (example)	M-cab 2.3m ClassicSpace	L-cab 2.3m StreamSpace	L-cab 2.3m StreamSpace	M-cab 2.3m StreamSpace	L-cab 2.3m StreamSpace

Equipment highlights.

MirrorCam.¹⁾ In place of the conventional rear-view mirror, the Actros is fitted with the innovative, aerodynamically sophisticated MirrorCam. This saves fuel and offers improved visibility to the rear and in the area of the A-pillar. The MirrorCam also provides for added safety during manoeuvring, turning off and lane changing, for example by panning the camera image according to the vehicle's movements. As an alternative to the new MirrorCam, a classic mirror system is also available.

Driver's cab. With a total of 20 cab variants available from the 2.3m wide S-cab with engine tunnel to the 2.5m wide L-cab with flat floor – the cabs meet all the requirements encountered in on-road and mixed road transport. The cabs impress with their practical orientation, comfort, resilience and design.



Multimedia Cockpit.¹⁾ The Actros features the innovative Multimedia Cockpit for enhanced driving comfort, ergonomics and ease of operation. The primary colour display and the secondary touch display, can be operated via the new multifunction steering wheel with Touch Control buttons.

Parking brake, electronic. The Actros features the electronic parking brake as standard. The parking brake will automatically engage when the engine is switched off, and also can be activated by using the lever in the cockpit. The integrated HOLD function is activated when the vehicle is at a standstill simply by pressing the brake pedal more firmly. The parking brake is released as soon as the accelerator is pressed again. This avoids the danger of the vehicle rolling back when moving off on an uphill gradient.



Safety features. Mercedes-Benz Trucks provides many safety and assistance systems to reduce risks and ease the burden on the driver. Alongside the standard Electronic Braking System with ABS, ASR, Brake Assist, hill holder and the optionally available Active Brake Assist 5¹⁾, the Stability Control Assist system¹⁾, Lane Keeping Assist¹⁾ and Attention Assist¹⁾ also contribute to the high level of safety. Systems such as the bi-xenon headlamps¹⁾, the co-driver mirror with a manoeuvring function¹⁾ and the tyre pressure monitoring system¹⁾ also help the driver to avoid or mitigate accidents.

Trailer Stability Assist.¹⁾ This system enhances driving safety by performing preventive braking of the vehicle and trailer in special driving situations, thereby stabilising the truck and trailer combination.



Mercedes-Benz Trucks: Customer Services & Parts.

Mercedes-Benz GenuineParts. High quality at an affordable price as a basis for value retention and overall economy. The extensive range of parts, efficient logistics and quick availability are further advantages.

Telematics Systems. Helps you manage your fleet with ease and achieve greater efficiency by improving driver performance and maintain a preventative driving style, which reduces maintenance and fuel consumption.

Optimized maintenance intervals and fewer workshop visits also increase the economic availability of your vehicles. Fuel savings are within reach, personnel and administrative costs are closely monitored, and the whole package is easily integrated into your company's network.

A comprehensive support system, our Telematics System makes your business more profitable from the very first day.



Mercedes-Benz ServiceSolutions. Mercedes-Benz ServiceSolutions provides you with tailor-made service packages, offering you complete peace of mind at a fixed cost over the ownership period, with three main attractive packages:

- + **BestMaintenance:** covers the cost of parts, labor and operational fluids needed for the scheduled maintenance operations
- + **SelectPlus:** BestMaintenance package, plus additional post-warranty cost protection
- + **Complete:** SelectPlus package, plus additional replacement of wearing parts

All Mercedes-Benz ServiceSolutions packages come with 24 hours roadside assistance.

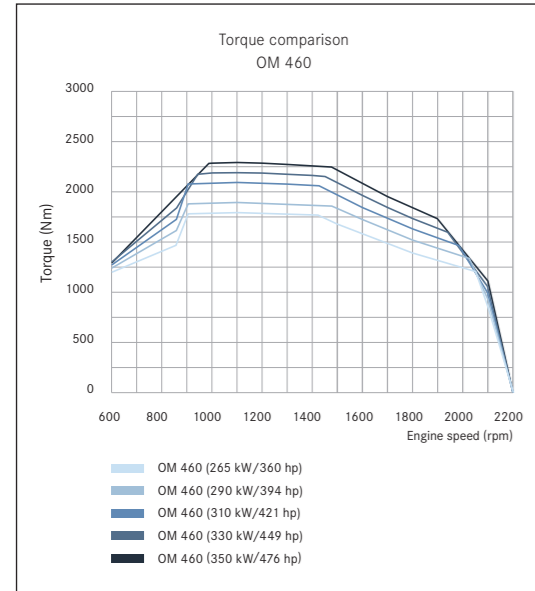


Extended Warranty. Mercedes-Benz Trucks offers you extended warranty packages that enable you to enjoy up to 5 years peace of mind.

With its comprehensive coverage, our post warranty cost protection allows you to focus on your day-to-day business and avoid unforeseen expenses. Thanks to the exclusive use of Mercedes-Benz GenuineParts and expert technicians performing the repairs, you benefit from an increased vehicle resale value in addition to cost transparency and the opportunity to fix your repair costs in advance. Extended warranty can be added in combination with a BestMaintenance package or as part of a Complete package.

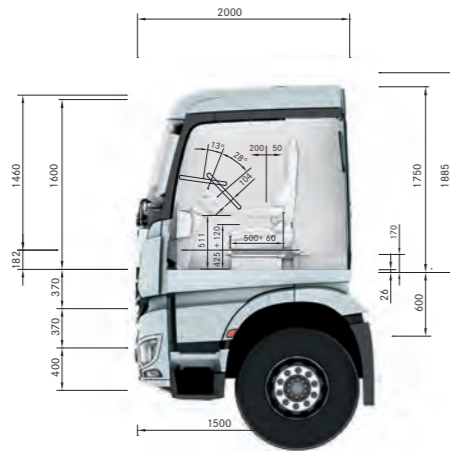


Engine performance and cab variants.



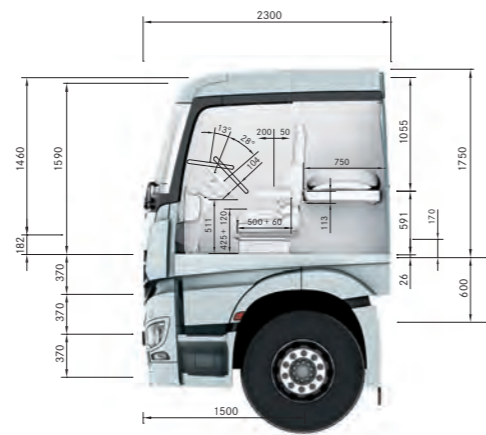
More power – less fuel. From 265 kW (360 hp) to 350 kW (476 hp) the OM 460 engines make their maximum torque available in the lower, fuel-efficient engine speed range.

ClassicSpace M-cab



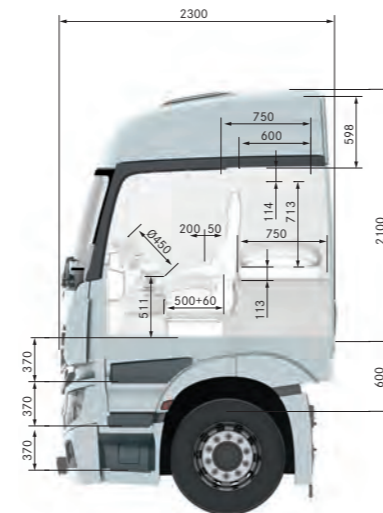
Engine tunnel: 170 mm
Headroom on engine tunnel: 1460 mm
Headroom in front of the seats: 1600 mm

ClassicSpace L-cab



Engine tunnel: 170 mm
Headroom on engine tunnel: 1460 mm
Headroom in front of the seats: 1590 mm

StreamSpace L-cab



Engine tunnel: 170 mm
Headroom on engine tunnel: 1785 mm
Headroom in front of the seats: 1840 mm

Your advantages at a glance.

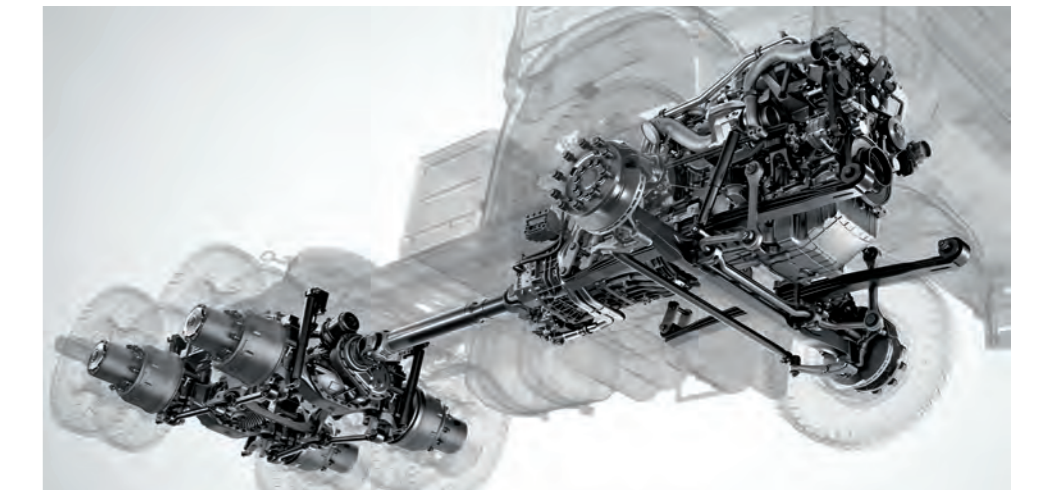
More Reliability.

- Complete drivetrain development & production 100% made by Mercedes-Benz Trucks
- All components designed and built for highest robustness, withstanding most extreme climate conditions, difficult terrains and demanding applications
- 60 mio. kilometers of endurance testing around the globe, thereof more than 8 mio. kilometers in the Middle East
- Mercedes PowerShift 3 automated gearbox and dual-disc clutch¹⁾ preventing the drivetrain from damage
- Powerful and robust in-line 6-cylinder engines complying with Euro III emission norm
- Easy operation of the truck with an ergonomic cockpit focusing on the driver's needs
- More than 120 years of experience in truck production, fulfilling highest quality standards
- 3-year, 250,000 km powertrain warranty as standard
- Extensive Sales & Service Network via authorized General Distributors and Dealers across the Middle East and North Africa region



More Efficiency.

- Highly-fuel efficient engines with optimized torque output
- Mercedes PowerShift 3 with intelligent gearshift strategy and specific driving modes, ensuring economic driving and minimized wear and tear
- Electronic Braking System and optionally available safety systems like Active Brake Assist 5¹⁾, the Stability Control Assist¹⁾ system, Lane Keeping Assist¹⁾ and Attention Assist¹⁾ to minimize accident risk
- Striking, enhanced exterior design and further optimised aerodynamics
- MirrorCam¹⁾, optional optimised roof spoiler and cab side deflectors for further fuel savings
- Flexible service intervals and wide offer of customized Mercedes-Benz ServiceSolutions available, including Service Contracts and Extended Warranty for up to 5 years





Trucks.MercedesBenzMENA.com

About the details provided in this catalogue: Products may have been affected by changes since the deadline for the printing of this publication in February 2020. Subject to changes in design and shape, colour differences and changes to equipment specifications by the manufacturer for the overall market life of the product, provided the changes or differences are tolerable to the customer, bearing in mind the interests of the seller. Where the seller or manufacturer uses drawings or numbers to denote the order or the ordered item, no rights may be inferred purely from these. The illustrations and texts may also include accessories and optional equipment that is not part of the standard specification. The colours as shown in this publication are subject to the technical scope of the printing process. This printed publication may likewise contain types and support services that are not available in certain countries. Please therefore ask for details of the regulations and their consequences for your specific country; your Mercedes-Benz truck sales executive will be able to inform you of the latest binding version of these regulations and their consequences.

Daimler Commercial Vehicles MENA FZE.