

The Zetros.



Accept no limits.

Mercedes-Benz
Trucks you can trust



A new chapter begins.

The Zetros is the product of more than 120 years' experience and expertise. Built in the world's largest truck assembly plant in Wörth, this unique range is of outstanding quality and "Made in Germany." And now Mercedes-Benz is introducing the latest generation of Zetros – more powerful and more versatile than ever before. True to its legacy, it is designed to handle extreme conditions, both on and off road.

Meet the Zetros models and learn why these are "trucks you can trust."

Discover more chapters in the digital booklet.

Videos, images and technical details –
just a click away

new-zetros.com









A truck like no other.

Discover what makes Zetros the leader of the pack.



All roads and no roads. You need more than a conventional truck. You need a reliable vehicle that can smoothly and swiftly switch between paved and non-paved surfaces – even when transporting heavy loads. One that can navigate extreme off-road conditions with ease, without compromising comfort or safety. And one tailored to your specific challenges.



Built to succeed, built to last. The Zetros was developed with longevity front of mind. The result is a vehicle you can count under any conditions and in any weather. It is designed to deliver outstanding performance on rough ground – even with low-quality fuel.



Ease of operation, ease of maintenance. Your time is valuable. So learning to operate your truck should be quick and straightforward. The Zetros is highly intuitive – making it easy for drivers to unlock its full potential. And to ensure it stays up and running, cleaning, maintenance and repairs are simple to carry out.



Highly efficient, highly effective. You want to maximize your return on investment. With this in mind, the Zetros has been streamlined for efficiency. It boasts a high level of fuel economy and an innovative dual tank system, helping to keep costs down and reduce time spent refueling. It is easy to load, and it can transport either crew or cargo in line with your imperatives.

All advantages of the Zetros at a glance:

new-zetros.com/features

Designed for excellence – from the outset.

Fully equipped, powerful performance.

Off-road. Get there dependably. With permanent all-wheel drive and mechanical differential locks. With reinforced frame and powerful engines. The Zetros gets there. On the road and off-road as well.

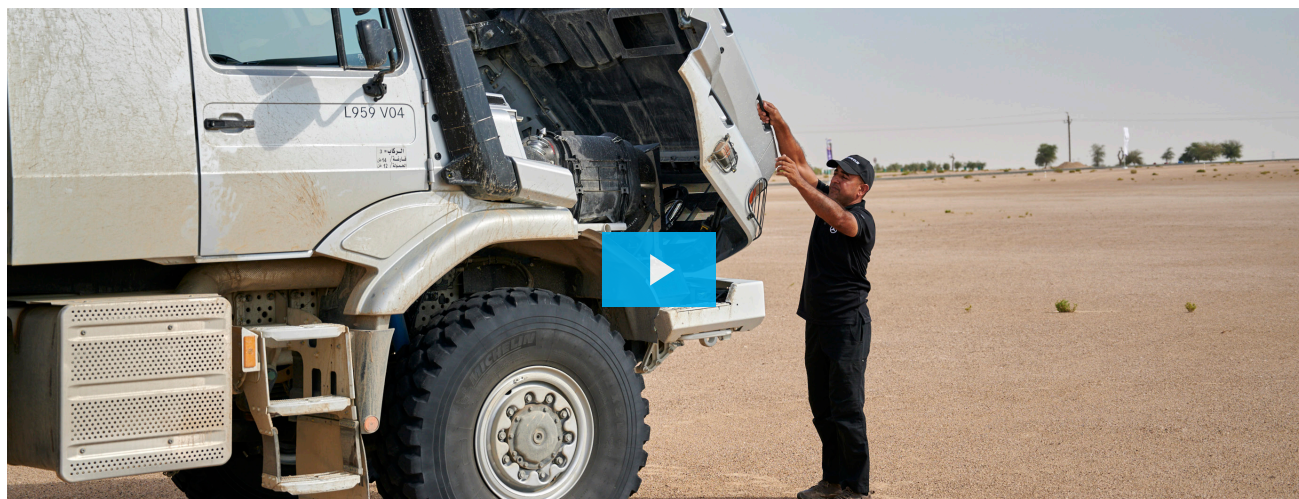


- steel-leaf springs; widest width in the market
- Torsion-free 3-point cab mount
- Large angles of approach and departure of up to 35°
- Fording depth of up to 0.8 m (optional)
- Low vehicle height

Comfort. No matter how long the road is, or where it leads. With the Zetros it is easy, safe and comfortable to drive, especially off-road. Thanks to the low seating position behind the front axle and the generous cab with intuitive operating system.



- Longer wheelbases
- Air-suspended co-driver's seat and optional center seat
- Up to 1,400 liters stowage space in the cab
- Easy access and exit
- Simple through-cab access



Maintenance. The Zetros makes maintenance fast and uncomplicated – even in remote areas. Thanks to the separately-opening hood, which can bear the weight of a person, drivers can help with the maintenance themselves. Or let the professionals get to it – anywhere, thanks to our worldwide service network.



- Cyclone pre-filter with transparent dirt container
- Simple electronics
- Walk-on hood
- Hard-wearing, easy-to-clean surfaces

Watch in the video how quick and easy the Zetros is to maintain:

new-zetros.com/maintenance





Tough work requires a tough truck.

The Zetros can be deployed in diverse scenarios.

Construction site. The Zetros is the first choice for driving both on tarmac and off-road, including with high payloads. Always powerful, with or without all-wheel drive and with a high-torque engine. Euro III-compliant with up to 476 hp (344 kW) or even more powerful levels, Euro V-compliant with up to 510 hp (375 kW).

Transport. The Zetros performs transport tasks reliably. On all kinds of road, in all kinds of weather. It tackles potholes, heat and cold, damp and dusty conditions. All the while it remains comfortable and protects the driver and crew. Its large fuel tank volume ensures greater range. Carry out every possible transport task with the Zetros – swiftly, reliably and economically.

Mining and energy sector. The Zetros takes drilling equipment, mining products, raw materials, stores and – when equipped with an optional crew cab – the whole crew to their destination. And thanks to its low height it can get there even through low tunnels and underground mine galleries. The Zetros is also a trustworthy vehicle for transport of overburden or as a passenger transport in opencast mining.



As unique as your challenges.

Tailor your truck to your needs.

No matter what you need it for – Mercedes-Benz will adapt the Zetros to your requirements. Individual special bodies can be mounted over the entire length of the vehicle, including above the cab thanks to its low overall height and the bodybuilder-friendly, easily adaptable frame. Adapting individual components or making complex conversions is just as much a part of everyday life for the world's largest truck manufacturer as mass production. Benefit from a network of high-performance bodybuilder partners and qualified consulting services. Regardless of the solution chosen: All the vehicle parts are of Mercedes-Benz quality and have a Mercedes-Benz guarantee. Through Custom Tailored Trucks (CTT) – the exclusive service from Mercedes Benz.

Civil protection and fire services. With the Zetros, emergency services personnel can get to the scene of an earthquake, flood wave or storm quickly and reliably. And can reach the sites over rough and virtually impassable terrain. Thanks to its fording capability of up to 0.8 m and angles of approach and departure of 35° helpers and supplies can reach their destination swiftly and unharmed. The Zetros is the right choice for every disaster relief operation – as a fire-fighting vehicle for forest blazes or as a recovery vehicle.

Expeditions and journeys. Jungle, desert or deep snow: The Zetros makes true adventure possible. In every climate zone and off the beaten track – thanks to its robust, reliable design, long maintenance intervals and worldwide availability of spare parts. The Zetros is an ideal base for your expedition equipment and your accommodation.

Learn even more about the Zetros in different fields of application:

[➤ new-zetros.com/applications](https://www.mercedes-benz.com/new-zetros.com/applications)



The choice is yours.

The Zetros is available in a broad range of variants ex-works.



Type

Chassis, tipper or tractor

6x6

4x4*, 6x4* or 4x2*



Engine

OM 460 LA, 12,872 ccm

Euro III 360*, 421 or 476 hp

Euro V* 460* or 510* hp



Gearbox

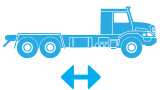
G260-16 / 11.62-0.69 with CPS



Max. Weight

40 t Gross Vehicle Weight (GVW)

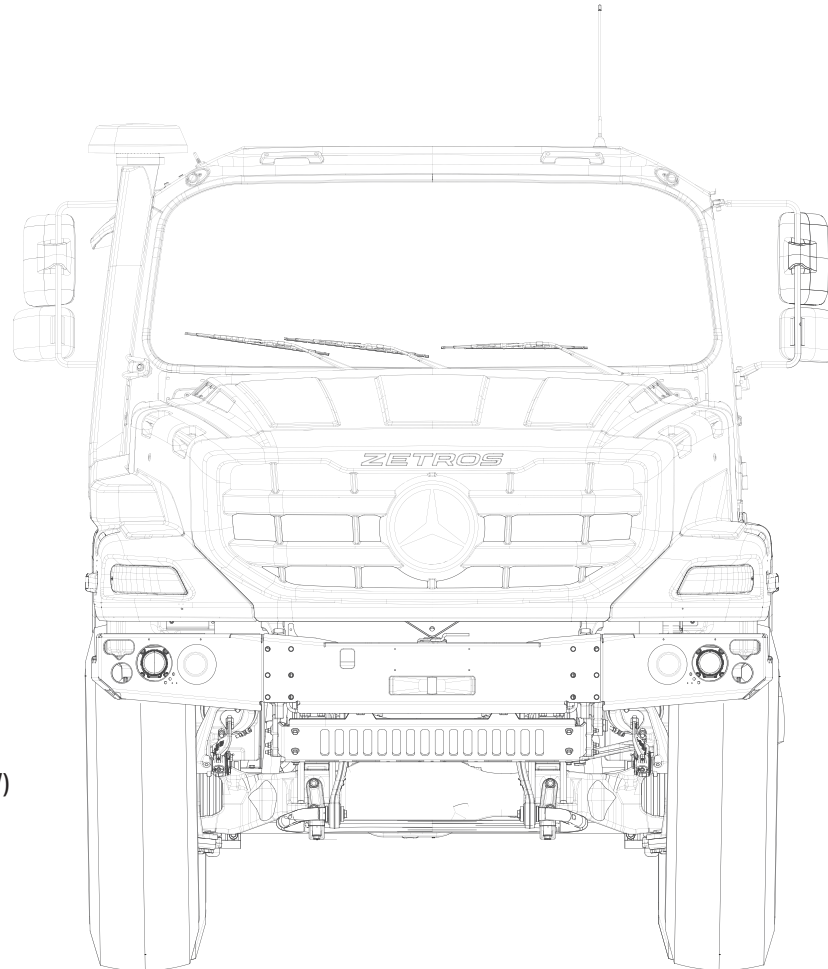
120 t Gross Combination Weight (GCW)



Wheelbase

4,700 mm – 5,100 mm

*will follow in 2020.



Discover the full range of
Zetros models:

new-zetros.com/variants

Discover more about the Zetros.

Visit our website to learn more about the Zetros. Browse through a comprehensive gallery of images or watch videos of the trucks in action. You can view the new models deployed in a variety of scenarios and all over the world. There are also details of vehicle features and downloadable technical data sheets. Moreover, you will find contact information for your Mercedes-Benz partner.

Tough terrain calls for a tough truck. To discover more, go to:



NEW-ZETROS.COM

Please note: changes may have been made to the product since this publication went to press (01.10.2019). The manufacturer reserves the right to make changes to the design, form, colour and scope of delivery during the delivery period, provided that these changes, whilst taking into account the interests of the vendor, can be deemed reasonable with respect to the purchaser. Where the seller or the manufacturer uses symbols or numbers to describe an order or the subject of an order, no rights may be derived solely from these. The illustrations may show accessories and items of special equipment which are not part of standard specification. Colours may differ slightly from those shown in this publication, owing to the limitations of the printing process. This publication may contain models and services which are not available in certain countries. Information given regarding statutory regulations, legal requirements and taxation and the consequences thereof applies to the Federal Republic of Germany only and is correct at the time of going to press. To find out about the current status of these regulations and their implications, please ask your Mercedes-Benz partner.
www.new-zetros.com