



The all-new Arocs 8x4 mixer range.

The new force in construction.

Mercedes-Benz
Trucks you can trust



The Arocs 8x4 mixer range.

The Arocs combines power, robustness and efficiency in a unique way, impressively continuing the tradition of Mercedes-Benz construction industry vehicles while bringing them into the future with innovative technology. In short: the Arocs can deliver everything that working life demands of it, and more.

Reliability. Operators who earn their money in the construction industry need absolute reliability. In other words: trucks they can count on. With the Arocs we are able to offer you a vehicle incorporating the rich fund of experience and expertise acquired over more than 120 years of German engineering. Equipped with leading Mercedes-Benz vehicle technology and components tested under the toughest conditions. This applies to engines, gearshifts, transmissions and drive axles as well as frames, chassis, suspension and cabs. Everything is perfectly coordinated, in order to meet all requirements reliably, even in extreme conditions.

Robustness. The different drive variants of the Arocs offers an optimum, particularly robust and resilient vehicle range for every challenge in construction transport. The solid vehicle structure with cold-formed, high tensile steel frame, rigid plate cross member, reinforced centre bearing for 3-and 4-axle vehicles guarantee that the Arocs can and will face any challenge in its path.

Appeal. All the robustness and loadability of the Arocs is already reflected in it's athletic, powerful exterior design. The radiator grille designed in a bucket tooth look lends the Arocs a striking, unmistakable face and underlines its power. Even at first glance it is clear where the Arocs is at home: in construction sites. Another eye-catching touch is added through the standard-fit, grooved exterior mirror trim which is not only an appealing design element, but also prevents damage to the mirror and thus increases safety. The fact that the cabs are manufactured from 100 percent fully galvanised sheet metal panels is a further impressive feature of the Arocs.

Engines. The new engine portfolio of the Arocs mixer range boosts not only high power, but also a reliable and durable design.

All trucks in Euro III emission norm are equipped with the OM 460 featuring particularly robust technology with pump-line-nozzle injector system.

All vehicles with Euro IV/V emission norm are equipped with the OM 470 or OM 471 offering a superb torque combined with an efficient common-rail injection system.

Mercedes PowerShift 3. Superior dynamic response, simple handling and low fuel consumption: the automated transmission ensures precise gear selection, short shift times, high driving comfort and optimal economy.

Various driving programmes provide a convincing shifting strategy appropriate to the driving situations and the load carried at the time. Each driving programme consist of three transmission modes: standard, manual and the specific mode selected with the driving programme. With its automated and intelligent shifting, Mercedes PowerShift 3 protects the powertrain, significantly reducing maintenance and operating costs and thus contributing to the profitability of your business.

Engine cooling and air intake. The further improved cooling and air intake system of the Arocs is designed to master even the harshest and most demanding climate conditions. Thanks to the air intake at the highest position instead of top part of the cabin and the newly developed cyclone pre-filter, up to 80% of dust and large particles are removed before reaching the air filter.



Type	4136 B	4140 B	4142 B	4536 B	4542 B
Chassis Variant	Concrete Mixer chassis	Concrete Mixer chassis	Concrete Mixer chassis	Concrete Mixer chassis	Concrete Mixer chassis
Mixer drum size (examples)	10 cbm	10 cbm	10 cbm	12 cbm	12 cbm
Drivetrain	8x4/4	8x4/4	8x4/4	8x4/4	8x4/4
Wheelbase (example)	5150 mm	5150 mm	5150 mm	5150 mm	5150 mm
Engine	OM 460 (Euro III) OM 470 (Euro IV/V)	OM 460 (Euro III) OM 470 (Euro IV/V)	OM 460 (Euro III) OM 471 (Euro IV/V)	OM 460 (Euro III) OM 470 (Euro IV/V)	OM 460 (Euro III) OM 471 (Euro IV/V)
Torque	1800 Nm	1900 Nm	2100 Nm	1800 Nm	2100 Nm
Transmission (example)	Mercedes PowerShift 3 (12 speed)	Mercedes PowerShift 3 (12 speed)	Mercedes PowerShift 3 (12 speed)	Mercedes PowerShift 3 (12 speed)	Mercedes PowerShift 3 (12 speed)
Cab (example)	S-Cab 2.3m ClassicSpace	S-Cab 2.3m ClassicSpace	S-Cab 2.3m ClassicSpace	S-Cab 2.3m ClassicSpace	S-Cab 2.3m ClassicSpace

Equipment highlights.

Driver's cab. The Arocs offers a workplace which is ideally designed and tailored to the driver's needs with exemplary ergonomics, high functionality and lots of practical comforts. With all stowage compartments ergonomically positioned and ideally reachable from the driver's workplace, extremely comfortable driving and working is ensured. The attractive interior design gives a particularly pleasant sense of spaciousness.

Body-builder friendly in every detail. The Arocs offers application specific mounting fixation plates ex-works for rigid chassis, tippers and concrete mixer applications, specially designed and engineered by Mercedes-Benz in partnership with industry leading body manufacturers, to ensure optimum fitment. These fixation plates come in standardised positions and therefore help to install the superstructure efficiently, saving efforts, time and money for the body installation.

Frame. The frame of the Arocs 8x4 mixer range is uncompromisingly geared for use in the most demanding construction industry applications. A width of 744 mm and the robust steel suspension give a chassis designed to perform – and to last.

Other advantages include the 50mm matrix of pre-drilled holes throughout as well as a large range of wheelbases, frame overhangs and end cross members.



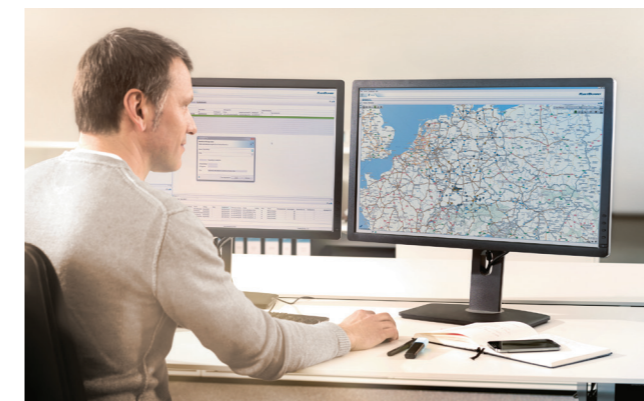
Mercedes-Benz Trucks: Customer Services & Parts.

Mercedes-Benz GenuineParts. High quality at an affordable price as a basis for value retention and overall economy. The extensive range of parts, efficient logistics and quick availability are further advantages.

Telematics Systems. Helps you manage your fleet with ease and achieve greater efficiency by improving driver performance and maintain a preventative driving style, which reduces maintenance and fuel consumption.

Optimized maintenance intervals and fewer workshop visits also increase the economic availability of your vehicles. Fuel savings are within reach, personnel and administrative costs are closely monitored, and the whole package is easily integrated into your company's network.

A comprehensive support system, our Telematics System makes your business more profitable from the very first day.



Mercedes-Benz ServiceSolutions. Mercedes-Benz ServiceSolutions provides you with tailor-made service packages, offering you complete peace of mind at a fixed cost over the ownership period, with three main attractive packages:

- + **BestMaintenance:** covers the cost of parts, labor and operational fluids needed for the scheduled maintenance operations
- + **SelectPlus:** BestMaintenance package, plus additional post-warranty cost protection
- + **Complete:** SelectPlus package, plus additional replacement of wearing parts

All Mercedes-Benz ServiceSolutions packages come with 24 hours roadside assistance.

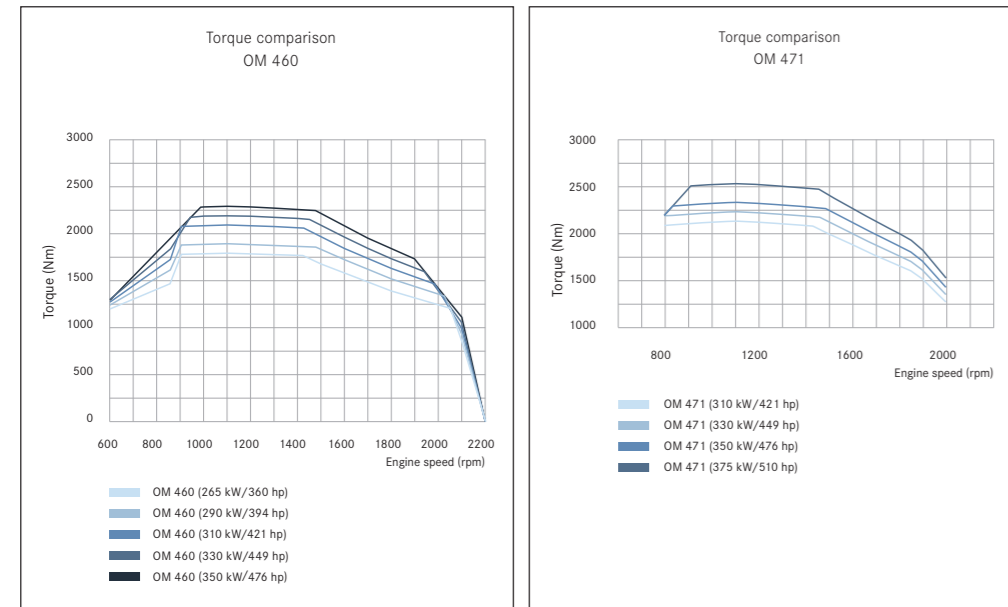


Extended Warranty. Mercedes-Benz Trucks offers you extended warranty packages that enable you to enjoy up to 5 years peace of mind.

With its comprehensive coverage, our post warranty cost protection allows you to focus on your day-to-day business and avoid unforeseen expenses. Thanks to the exclusive use of Mercedes-Benz GenuineParts and expert technicians performing the repairs, you benefit from an increased vehicle resale value in addition to cost transparency and the opportunity to fix your repair costs in advance. Extended warranty can be added in combination with a BestMaintenance package or as part of a Complete package.

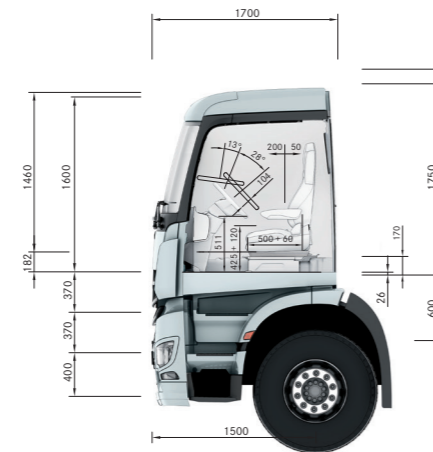


Engine performance and cab variants.



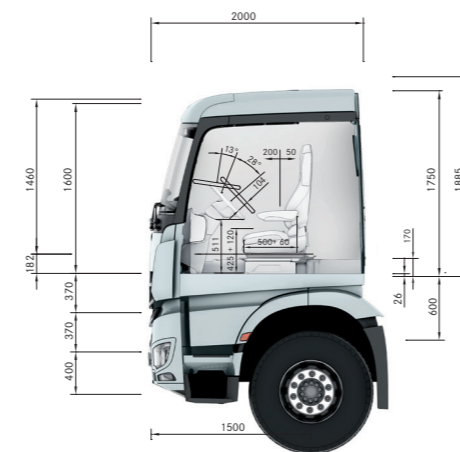
More power – less fuel. From 265 kW /360 hp to 350 kW/476 hp (OM 460) and from 310 kW/ 421 hp to 375 kW/ 510 hp (OM 471), these engines make their maximum torque available in the lower, fuel-efficient engine speed range.

ClassicSpace S-cab



Engine tunnel: 170 mm
 Standing headroom on engine tunnel: 1460 mm

ClassicSpace M-cab



Engine tunnel: 170 mm
 Standing headroom on engine tunnel: 1460 mm

Your advantages at a glance.

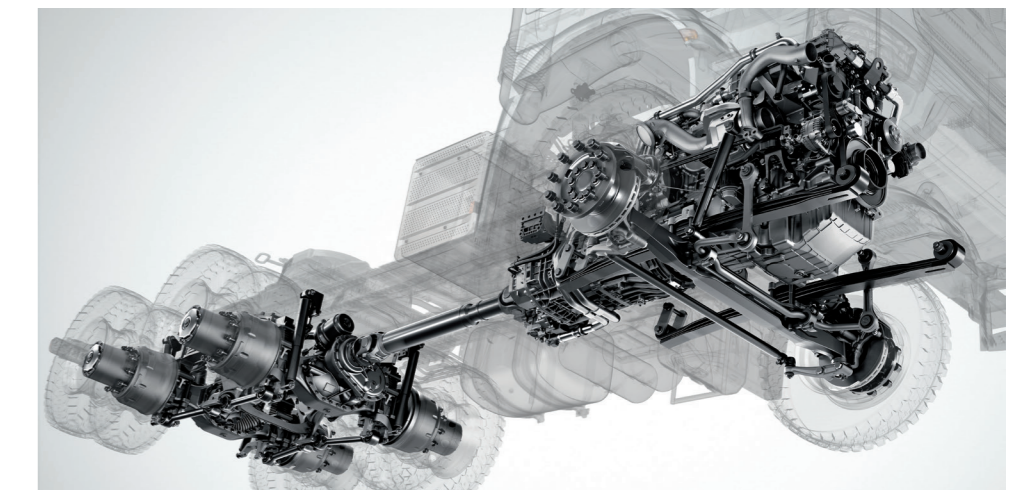
More Reliability.

- Complete drivetrain development & production 100% made by Mercedes-Benz Trucks
- All components designed and built for highest robustness, withstanding most extreme climate conditions, difficult terrains and demanding applications
- 60 mio. kilometers of endurance testing around the globe, thereof more than **6 mio. kilometers in the Middle East**
- Mercedes PowerShift 3 automated gearbox and dual-disc clutch¹⁾ preventing the drivetrain from damage
- Powerful and robust in-line 6-cylinder engines complying with Euro III and Euro IV/V emission norm
- Easy operation of the truck with an ergonomic cockpit focusing on the driver's needs
- More than 120 years of experience in truck production, fulfilling highest quality standards
- 3-year, 250,000 km powertrain warranty as standard
- Extensive Sales & Service Network via authorized General Distributors and Dealers across the Middle East and North Africa region.



More Robustness.

- High ground clearance for higher robustness
- Different front and rear axle configurations possible incl. large tyres for maximum loads
- Front axle loads of up to 9 t; planetary axles with rear axle load of up to 16 t
- Best in class durable parabolic steel suspension with the widest springs in truck industry
- Frame and suspension tailored for highest reliability
- Mercedes PowerShift 3 with different driving programs
- Component protection for highest reliability
- Protective plate for engine and radiator.



¹⁾Optional equipment.



Trucks.MercedesBenzMENA.com

About the details provided in this catalogue: Products may have been affected by changes since the deadline for the printing of this publication in January 2018. Subject to changes in design and shape, colour differences and changes to equipment specifications by the manufacturer for the overall market life of the product, provided the changes or differences are tolerable to the customer, bearing in mind the interests of the seller. Where the seller or manufacturer uses drawings or numbers to denote the order or the ordered item, no rights may be inferred purely from these. The illustrations and texts may also include accessories and optional equipment that is not part of the standard specification. The colours as shown in this publication are subject to the technical scope of the printing process. This printed publication may likewise contain types and support services that are not available in certain countries. Please therefore ask for details of the regulations and their consequences for your specific country; your Mercedes-Benz truck sales executive will be able to inform you of the latest binding version of these regulations and their consequences.

Daimler Commercial Vehicles MENA FZE.